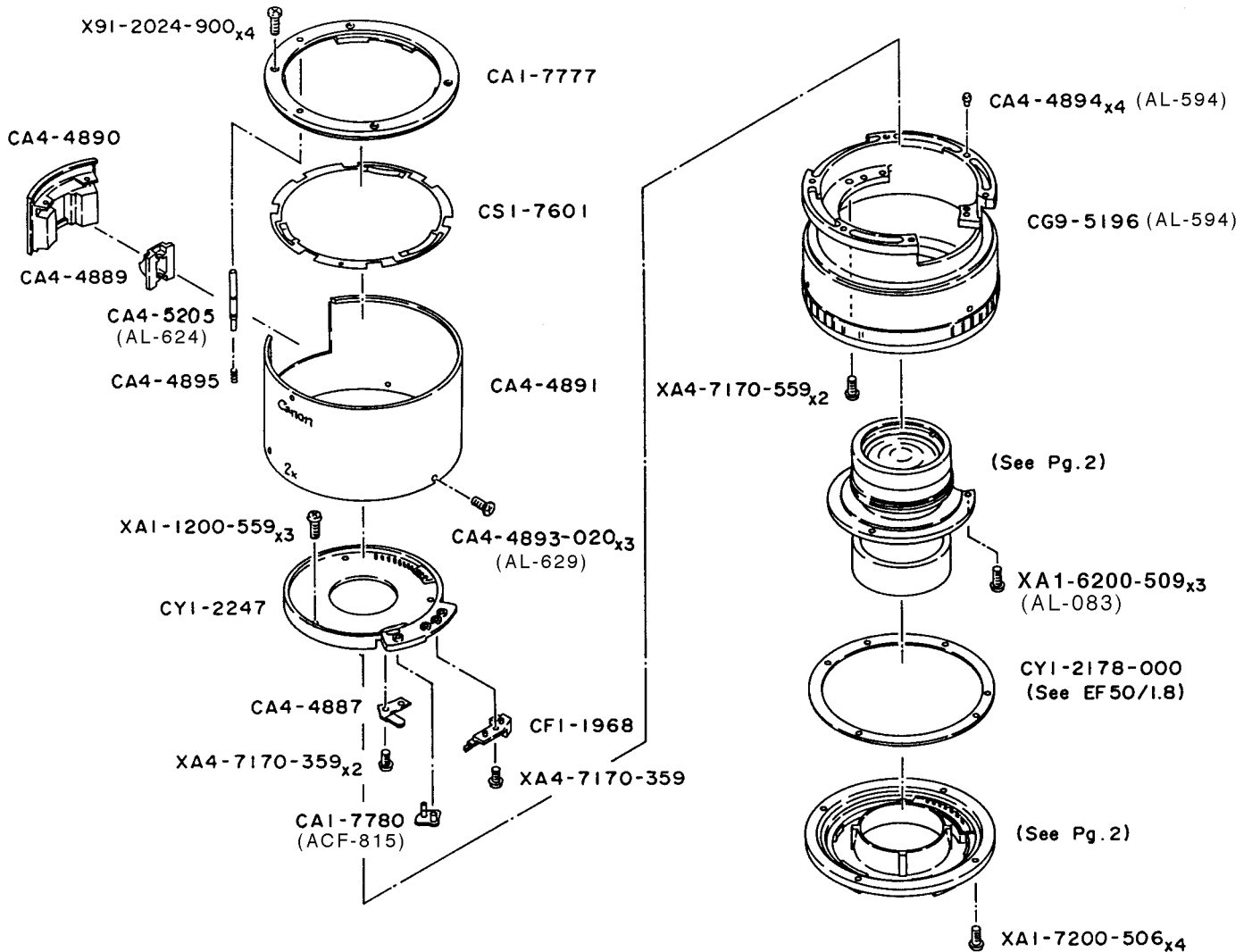


**Canon**

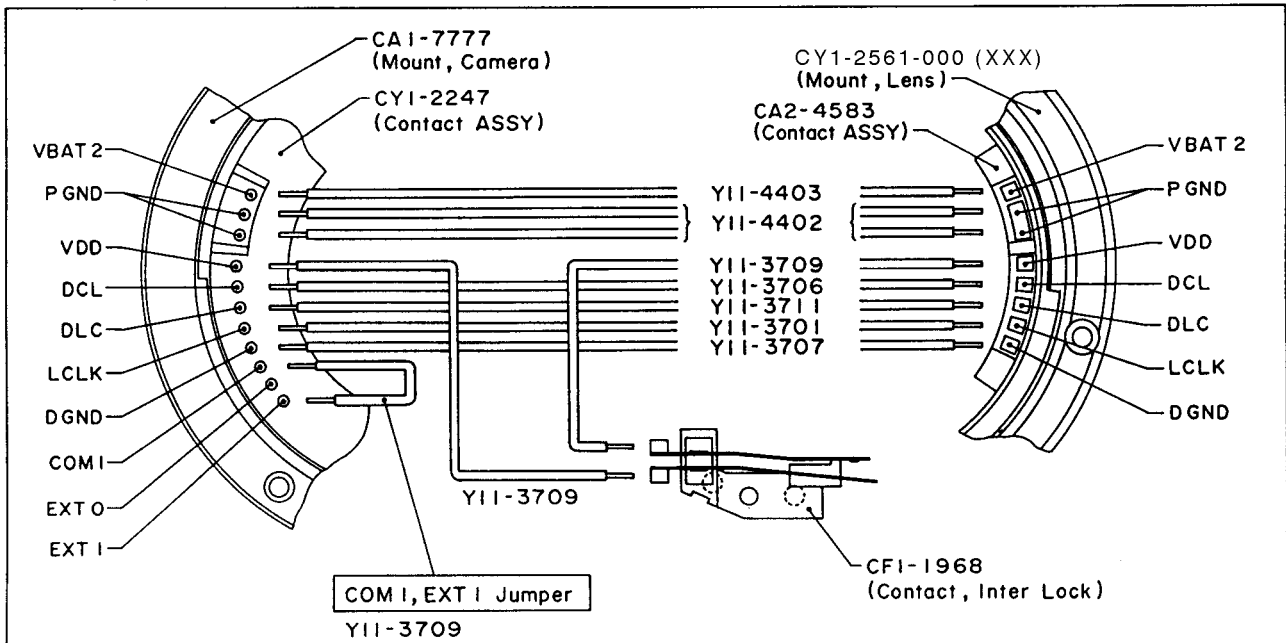
**EXTENDER EF 2x  
REF.NO. C54-3781**

**PARTS  
CATALOG**

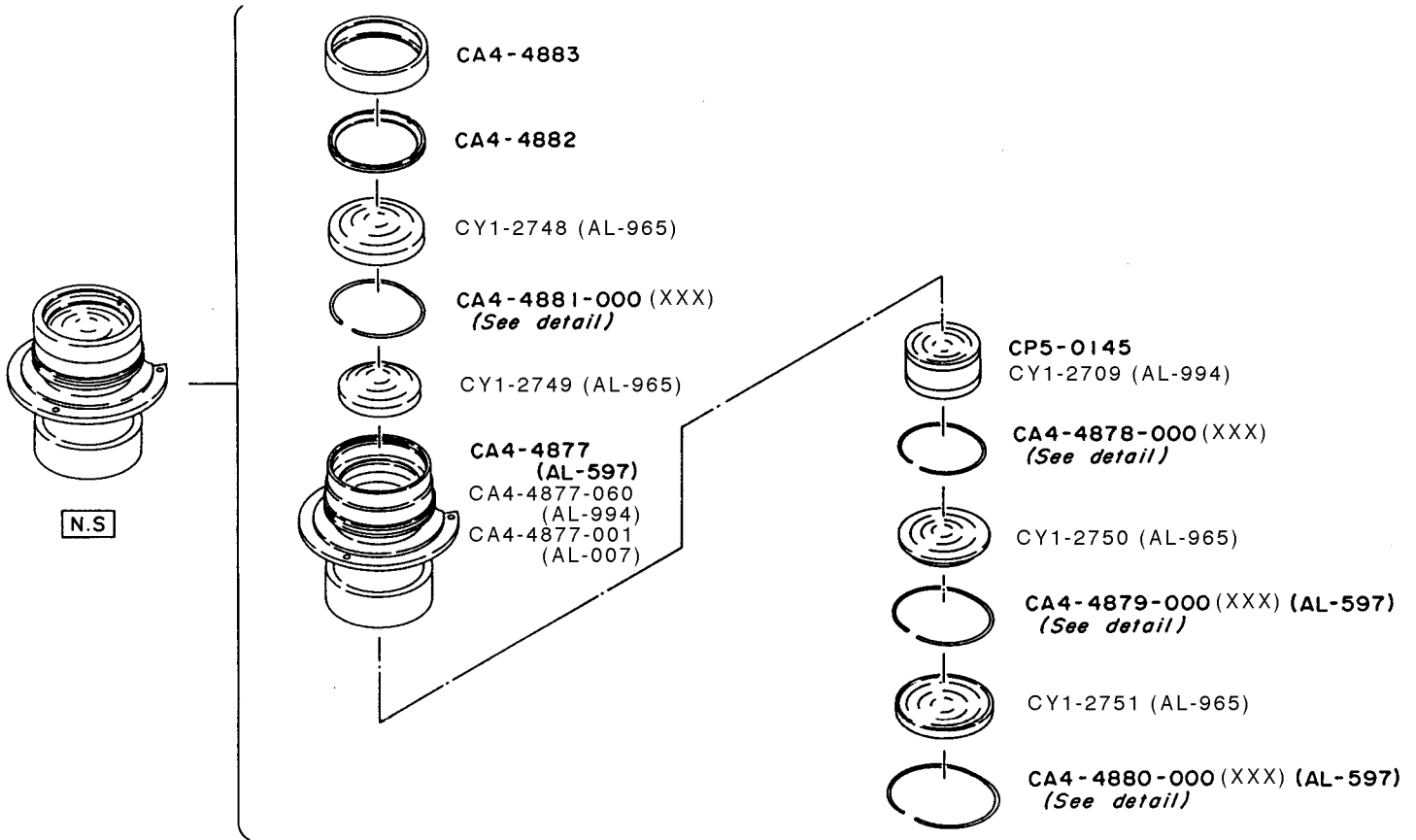
# CANON EXTENDER EF 2x



## WIRING DIAGRAM



### CANON EXTENDER EF 2x



CY1-2561-000 detail

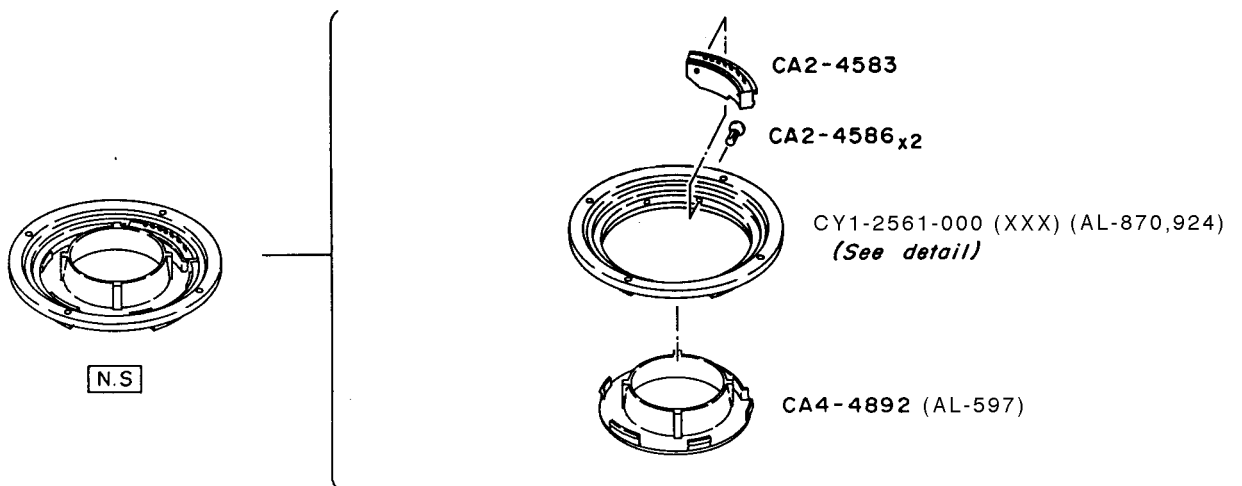
A	SIZE
2.1 mm	(210)
2.2 mm	(220)
2.3 mm	(230)
2.4 mm	(240)
2.5 mm	(250)
2.6 mm	(260)

CA4-4878-000 detail

A	SIZE
φ 0.7 mm	(070)
φ 0.8 mm	(080)
φ 0.9 mm	(090)

CA4-4879-000  
CA4-4880-000  
CA4-4881-000 detail

A	SIZE
φ 0.6 mm	(060)
φ 0.7 mm	(070)
φ 0.8 mm	(080)



# PARTS LIST

REF.No.C54-3781 EXTENDER EF2X

NEW	PARTS NO.	CLASS	QTY	DESCRIPTION	PAGE
	CA1-7777-000	C	1	MOUNT, BODY	1
	CA1-7780-000	E	1	INTERLOCK, LENS MOTOR	1
	CA2-4583-000	D	1	CONTACT ASS'Y	2
	CA2-4586-000	E	2	SCREW	2
	CA4-4877-000	D	1	BARREL, LENS	2
	CA4-4877-001	D	1	BARREL, LENS	2
	CA4-4877-060	D	1	BARREL, LENS	2
	CA4-4878-000(XXX)	E	1	RING, SNAP	2
	CA4-4879-000(XXX)	E	1	RING, SNAP	2
	CA4-4880-000(XXX)	E	1	RING, SNAP	2
	CA4-4881-000(XXX)	E	1	RING, SNAP	2
	CA4-4882-000	D	1	COLLAR, ASS'Y	2
	CA4-4883-000	D	1	RING, PROTECTOR	2
	CA4-4887-000	E	1	HOLDER, SW LEVER	1
	CA4-4889-000	D	1	KNOB, UNLOCK	1
	CA4-4890-000	D	1	FRAME, UNLOCK KNOB	1
	CA4-4891-000	D	1	SLEEVE, NAME	1
	CA4-4892-000	D	1	COVER, BACK	2
	CA4-4893-020	E	3	SCREW	1
	CA4-4894-000	E	4	PIN, GUIDE	1
	CA4-4895-000	E	1	SPRING, COIL	1
	CA4-5205-000	D	1	PIN, UNLOCK KNOB	1
	CF1-1968-000	E	1	CONTACT INTERLOCK	1
	CG9-5196-000	D	1	BARREL, MAIN	1
	CP5-0145-000	E	1	LENS, G3/4/5	2
	CS1-7601-000	D	1	SPRING, MOUNT	1
	CY1-2178-000(XXX)	E	1	WASHER, MOUNT	1
	CY1-2247-000	D	1	CONTACT ASS'Y	1
	CY1-2561-000(XXX)	E	1	MOUNT, LENS	2
	CY1-2709-000	E	1	LENS, G3/4/5	2
	CY1-2748-000	C	1	LENS, G1	2
	CY1-2749-000	E	1	LENS, G2	2
	CY1-2750-000	E	1	LENS, G6	2
	CY1-2751-000	D	1	LENS, G7	2
	X91-2024-900		4	SCREW, CROSS-RECESS, PH	1
	XA1-1200-559		3	SCREW, CROSS-RECESS, PH	1
	XA1-6200-509		3	SCREW, MACHINE M2X5	1
	XA1-7200-506		4	SCREW, CROSS-RECESS, PH	1
	XA4-7170-359		3	SCREW, CROSS-RECESS, PH	1
	XA4-7170-559		2	SCREW, CROSS-RECESS, PH	1
	Y11-3701-000			LEAD(WHITE)	1
	Y11-3706-000			LEAD(ORANGE)	1
	Y11-3707-000			LEAD(YELLOW)	1
	Y11-3709-000			LEAD(GREEN)	1
	Y11-3711-000			LEAD(BLUE)	1
	Y11-4402-000			LEAD(BLACK)	1
	Y11-4403-000			LEAD(RED)	1

# CANON EXTENDER EF 2x

REF. NO. C54-3781

